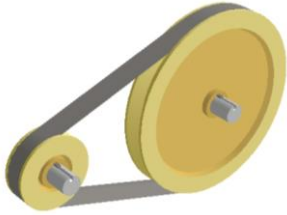




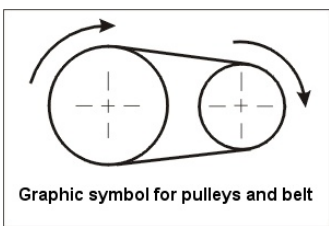
Use 'Focus on Mechanisms' to complete the boxes below.

Type of System:		
	Explanation:	Example of use:

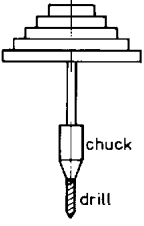
Type of System:		
	Explanation:	Example of use:

Type of System:		
	Explanation:	Example of use:

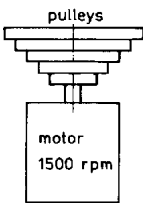
5 Types of belt				



The drawing shows the schematic layout of an electric drilling machine.
Draw the belt on the pulleys that would give a drill speed of 1500 revs/min.



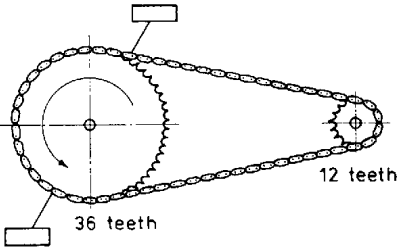
chuck
drill



pulleys
motor
1500 rpm

The drawing shows a bicycle crank assembly and rear wheel sprocket.
State the number of times the rear wheel will rotate if the crank completes one revolution.

.....



36 teeth
12 teeth